

■ VLT 6000 HVAC



---

**VLT® 6000 HVAC**


---

Mains voltage 380 - 415 V

VLT type	Typical shaft output		Max continuous output current	Max continuous output power at 400 V S <sub>VLT.N</sub>
	P <sub>VLT.N</sub>			
	[kW]	[HP]	I <sub>VLT.N</sub>	[kVA]
			[A]	
6002	1.1	1.5	3.0	2.2
6003	1.5	2.0	4.1	2.9
6004	2.2	3.0	5.6	4.0
6005	3.0	-	7.2	5.2
6006	4.0	5.0	10.0	7.2
6008	5.5	7.5	13.0	9.3
6011	7.5	10	16.0	11.5
6016	11	15	24.0	17.3
6022	15	20	32.0	23.0
6027	18.5	25	37.5	27.0
6032	22	30	44.0	31.6
6042	30	40	61.0	43.8
6052	37	50	73.0	52.5
6062	45	60	90.0	64.7
6075	55	75	106	73.0
6100	75	100	147	102
6125	90	125	177	123
6150	110	150	212	147
6175	132	200	260	180
6225	160	250	315	218
6275	200	300	368	255

Mains voltage 440 - 460 V

VLT type	Typical shaft output		Max continuous output current	Max continuous output power at 460 V S <sub>VLT.N</sub>
	P <sub>VLT.N</sub>			
	[kW]	[HP]	I <sub>VLT.N</sub>	[kVA]
			[A]	
6002	1.1	1.5	3.0	2.4
6003	1.5	2.0	3.4	2.7
6004	2.2	3.0	4.8	3.8
6005	3.0	-	6.3	5.0
6006	4.0	5.0	8.2	6.5
6008	5.5	7.5	11.0	8.8
6011	7.5	10	14.0	11.2
6016	11	15	21.0	16.7
6022	15	20	27.0	21.5
6027	18.5	25	34.0	27.1
6032	22	30	40.0	31.9
6042	30	40	52.0	41.4
6052	37	50	65.0	51.8
6062	45	60	77.0	61.3
6075	55	75	106	84.5
6100	75	100	130	104
6125	90	125	160	127
6150	110	150	190	151
6175	132	200	240	191
6225	160	250	302	241
6275	200	300	361	288

**■ Enclosure**

VLT 6000 HVAC is available with the following enclosures:

- IP 00: 30 to 45 kW / 200-240 V
- IP 00: 55 to 200 kW / 380-460 V
- Bookstyle IP 20: 1.1 to 3.0 kW / 200-240 V
- Bookstyle IP 20: 1.1 to 7.5 kW / 380-460 V
- IP 20: 1.1 to 45 kW / 200-240 V
- IP 20: 1.1 to 200 kW / 380-460 V
- IP 54: 1.1 to 45 kW / 200-240 V
- IP 54: 1.1 to 200 kW / 380-460 V

IP 00: This enclosure is only available for the larger power sizes of the VLT 6000 HVAC series. It is recommended for installation in standard cabinets.

IP 20 Bookstyle: This enclosure is designed for cabinet installation. It takes up a minimum of space and can be fitted side-by-side without installation of extra cooling equipment.

IP 20: This enclosure is used as standard enclosure for VLT 6000 HVAC. It is ideal for cabinet installation in areas where a high degree of protection is required. This enclosure also permits side-by-side installation.

IP 54: This enclosure can be fitted direct to the wall. Cabinets are not required. IP 54 units can also be installed side-by-side.

---

**■ RFI filter**

As standard, the VLT 6000 HVAC has an integral RFI filter up to and including 7.5 kW (3 kW 200 V).

These RFI filters comply with EMC standards EN 55011-1A, provided max. 150 m screened/armoured cable is used, and with EN 55011-1B, provided 50 m screened/armoured cable is used (Bookstyle max. 20 m screened/armoured).

Select a RFI filter for dampening of interference in accordance with EN 55011-1A and EN 55011-1B.

---

**■ Harmonic filter**

The harmonic currents do not directly affect the electricity consumption, but they do increase the heat losses in the installation (transformers, cables). That is why in systems with a rather high percentage of rectifier load it is important to keep the harmonic currents at a low level in order to avoid transformer overloads and high cable temperatures.

As standard, the VLT 6000 HVAC has coils in the intermediate circuit in order to ensure low harmonic currents. This typically reduces the input current  $I_{RMS}$  by 40 %.

---

**■ Control unit (LCP)**

The VLT 6000 HVAC is available with or without control unit (LCP); however, IP 54 units always come with the control unit.

This control unit makes up a complete interface for control and programming of the VLT 6000 HVAC. The control panel is detachable and may - as an alternative - be mounted up to 3 metres away from the VLT frequency converter, i.e. in a cabinet, by means of a fitting kit delivered with the unit.

Data information is given in a 4-line alpha-numerical display, which under normal operation is able to continuously show four operating data items and three operating modes. During programming, all the information required for quickly and efficiently setting up VLT frequency converter parameters will be shown.

As a supplement to the display, there are three indicator lamps for voltage (ON), warning (WARNING) and alarm (ALARM).

All VLT frequency converter parameter Setups can be changed directly via the control panel.

The following options are available:

- Control panel LCP (only for IP 20 units).
- LCP remote-mounting kit for remote control of IP 00 and IP 20 units.
- LCP remote-mounting kit for remote control of IP 54.
- 3 metre cable for LCP.

### ■ **Fieldbus protocols**

Danfoss VLT frequency converters are able to fulfil many different functions in an automated building management system. The VLT frequency converter can be integrated directly in an overall monitoring system.

This means that detailed process data can be transmitted via serial communication. The protocols listed below are based on a RS 485 bus system with a maximum transmission speed of 9600 bauds.

As standard, the following protocols are supported:

- Danfoss FC protocol
- Johnson's Control Metasys N2
- Landis & Staefa FLN

A frequency converter can be set and applied in all building management control systems.

Status messages, warnings and alarms provide valuable assistance in visualising and assessing processes.

### ■ **Fieldbus options**

The increasing need for information in building management systems makes it necessary to collect or visualise many different types of process data. Important process data can help the system technician in the day-by-day monitoring of the system, which means that a negative development - e.g. an increase in energy consumption - can be rectified in time.

The substantial amount of data in large buildings may generate a need for a higher transmission speed than 9600 baud. Danfoss VLT 6000 HVAC is available with LonWorks® or Profibus®, both of which have higher performance than standard integrated serial communication.

### ■ **Profibus**

Profibus is a fieldbus system with FMS and DP, which can be used for linking automation units, such as sensors and actuators, to the controls by means of a two-conductor cable.

Profibus **FMS** is used if major communication tasks are to be solved at cell and system level by means of large volumes of data.

Profibus **DP** is an extremely fast communication protocol, made specially for communication between the automation system and various units.

### ■ **LON - Local Operating Network**

LonWorks is an intelligent fieldbus system which improves the possibility of decentralising control, as communication is enabled between individual units in the same system (Peer-to-Peer).

This means that there is no need for a big main station for handling all the signals of the system (Master-Slave). Signals are sent direct to the unit that needs them via a common network medium. This makes communication much more flexible and the central building state control and monitoring system can be changed into a dedicated building state monitoring system whose task is to ensure that everything is running as planned. If the potential of LonWorks is fully utilised, sensors will also be connected to the bus, which means that a sensor signal can quickly be moved to another controller. If room dividers are mobile, this is a particularly useful feature.

Two feedback signals can be linked to the VLT 6000 HVAC by means of LonWorks, thereby enabling the internal PID regulator to regulate directly on the bus feedback.

■ **Unpacking and ordering a VLT frequency converter**

Are you are in doubt as to which VLT frequency converter you have received and which options it contains? Use the following table to find out. The table can also be used for ordering a VLT 6000 HVAC.

■ **Type code ordering number string**

On the basis of your order, the VLT frequency converter is given an ordering number that can be seen from the nameplate on the unit. The number may look as follows:

**VLT-6008-H-T4-B20-R3-DL-F10-A10**

This means that the frequency converter ordered is a VLT 6008 for three-phase mains voltage of 380-460 V (**T4**) in Bookstyle enclosure IP 20 (**B20**). The hardware variant is with integral RFI filter, classes A & B (**R3**). The frequency converter features a control unit (**DL**) with a PROFIBUS option card (**F10**). Character no. 8 (**H**) indicates the application range of the unit: **H** = HVAC.

Bookstyle IP 20

Motor power	Mains voltage, rated:	
	200-240 V	380-460 V
1.1 kW	VLT 6002	VLT 6002
1.5 kW	VLT 6003	VLT 6003
2.2 kW	VLT 6004	VLT 6004
3.0 kW	VLT 6005	VLT 6005
4.0 kW		VLT 6006
5.5 kW		VLT 6008
7.5 kW		VLT 6011

Motor power	Mains voltage, rated:	
	200-240 V	380-460 V
1.1 kW	VLT 6002	VLT 6002
1.5 kW	VLT 6003	VLT 6003
2.2 kW	VLT 6004	VLT 6004
3.0 kW	VLT 6005	VLT 6005
4.0 kW	VLT 6006	VLT 6006
5.5 kW	VLT 6008	VLT 6008
7.5 kW	VLT 6011	VLT 6011
11 kW	VLT 6016	VLT 6016
15 kW	VLT 6022	VLT 6022
18.5 kW	VLT 6027	VLT 6027
22 kW	VLT 6032	VLT 6032
30 kW	VLT 6042	VLT 6042
37 kW	VLT 6052	VLT 6052
45 kW	VLT 6062	VLT 6062

Units in the range of 1.1-45 kW come with enclosure IP 20, IP 54.

Motor power	Mains voltage, rated:	
	400 V <sup>1)</sup>	460 V <sup>1)</sup>
55 kW	VLT 6075	-
75 kW	VLT 6100	VLT 6075
90 kW	VLT 6125	VLT 6100
110 kW	VLT 6150	VLT 6125
132 kW	VLT 6175	VLT 6150
160 kW	VLT 6225	VLT 6175
200 kW	VLT 6275	VLT 6225
250 kW		VLT 6275

Units in the range of 55-250 kW come with enclosure IP 00, IP 20 or IP 54.

<sup>1)</sup> The max. output depends on the mains voltage connected to the unit.

Hardware variants

All units in the programme are available in the following hardware variants:

ST: Standard unit w/ or w/o control unit.

RFI-filter

Bookstyle units always come *with* an integral RFI filter that complies with EN 55011-1B with 20 m screened /armoured motor cable and EN 55011-1A with 150 m screened/armoured motor cable.

Units for a mains voltage of 240 V and a motor power of up to and including 4.0 kW (VLT 6006) and units for a mains voltage of 380-460 V and a motor power of up to 7.5 kW (VLT 6011) are always supplied with an integral class 1A & 1B filter.

Units for higher motor power than these (4.0 and 7.5 kW, respectively) can be ordered either with or without an RFI filter.

Control unit (keypad and display)

All types of units in the programme, except for IP 54 units, can be ordered either with or without the control unit. IP 54 units always come *with* a control unit.

### ■ Ordering form VLT 6000 HVAC

**VLT 6**    **-H-T-**   **-S-T-R-D-**

**Power sizes**  
e.g. 6008

6002	1.1 kW
6003	1.5 kW
6004	2.2 kW
6005	3.0 kW
6006	4.0 kW
6008	5.5 kW
6011	7.5 kW
6016	11 kW
6022	15 kW
6027	18.5 kW
6032	22 kW
6042	30 kW
6052	37 kW
6062	45 kW

6002	1.1 kW
6003	1.5 kW
6004	2.2 kW
6005	3.0 kW
6006	4.0 kW
6008	5.5 kW
6011	7.5 kW
6016	11 kW
6022	15 kW
6027	18.5 kW
6032	22 kW
6042	30 kW
6052	37 kW
6062	45 kW
6075	55 kW
6100	75/90 kW
6125	90/110 kW
6150	110/132 kW
6175	132/160 kW
6225	160/200 kW
6275	200/250 kW

**Application range**  
HVAC **H**

**Mains voltage**  
3 x 200 - 240 V **T2**  
3 x 380 - 460 V **T4**

**Enclosure**  
Bookstyle IP 20 **B 20**  
6002-6005 200-240 V  
6002-6011 380-460 V  
IP 00 **C 00**  
6042-6062 200-240 V  
6075-6275 380-460 V  
IP 20 **C 20**  
6002-6062 200-240 V  
6002-6275 380-460 V  
IP 54 **C 54**  
6002-6062 200-240 V  
6002-6275 380-460 V

**Hardware variant**  
standard only **ST**

**RFI filter**  
Available w/o filter in the ranges **R0**  
6006-6062 200-240 V  
6016-6275 380-460 V  
With integral 1A + 1B filter **R3**

**Control unit (LCP)**  
W/o LCP (not an option with IP 54) **DO**  
W/ LCP **DL**

**Fieldbus option card**  
No option  
Profibus  
LonWorks Free Topology Process  
LonWorks 78 KBPS  
LonWorks 1.25 MBPS

**Application option card**  
W/ relay card  
(not with fieldbus option) **A 31**

**F 00**  
**F 10**  
**F 40**  
**F 41**  
**F 42**

**No. units of this type**

**Required delivery date**

**Ordered by:**

Date: \_\_\_\_\_

Take a copy of the ordering forms. Fill them in and send or fax your order to the nearest office of the Danfoss sales organisation.

**■ Ordering numbers, LC filter modules**
**Mains supply 3 x 200 - 240 V**

LC filter for VLT type	LC filter enclosure	Rated current at 200 V	Max. output frequency	Power loss	Order no.
6002-6003 Bookstyle	IP 20 Bookstyle	7.8 A	120 Hz		175Z0825
6004-6005 Booksyle	IP 20 Bookstyle	15.2 A	120 Hz		175Z0826
6002-6005	IP 20	15.2 A	120 Hz		175Z0832
6006-6008	IP 00	25.0 A	60 Hz	85 W	175Z4600
6011	IP 00	32 A	60 Hz	90 W	175Z4601
6016	IP 00	46 A	60 Hz	110 W	175Z4602
6022	IP 00	61 A	60 Hz	170 W	175Z4603
6027	IP 00	73 A	60 Hz	250 W	175Z4604
6032	IP 00	88 A	60 Hz	320 W	175Z4605

**Mains supply 3 x 380 - 460 V**

LC filter for VLT type	LC filter enclosure	Rated current at 400/460 V	Max. output frequency	Power loss	Order no.
6002-6005 Bookstyle	IP 20 Bookstyle	7.2 A / 6.3 A	120 Hz		175Z0825
6006-6011 Bookstyle	IP 20 Bookstyle	16 A / 16 A	120 Hz		175Z0826
6002-6011	IP 20	16 A / 16 A	120 Hz		175Z0832
6016	IP 00	24 A / 21.7 A	60 Hz	125 W	175Z4606
6022	IP 00	32 A / 27.9 A	60 Hz	130 W	175Z4607
6027	IP 00	37.5 A / 32 A	60 Hz	140 W	175Z4608
6032	IP 00	44 A / 41.4 A	60 Hz	170 W	175Z4609
6042	IP 00	61 A / 54 A	60 Hz	250 W	175Z4610
6052	IP 00	73 A / 65 A	60 Hz	360 W	175Z4611
6062	IP 00	90 A / 78 A	60 Hz	450 W	175Z4612
6075	IP 20	106 A / 106 A	60 Hz		175Z4701
6100	IP 20	147 A / 130 A	60 Hz		175Z4702
6125	IP 20	177 A / 160 A	60 Hz		175Z4703
6150	IP 20	212 A / 190 A	60 Hz		175Z4704
6175	IP 20	260 A / 240 A	60 HZ		175Z4705
6225	IP 20	315 A / 302 A	60 HZ		175Z4706
6275	IP 20	395 A / 361 A	60 Hz		175Z4707

**■ General technical data**
Mains supply (L1, L2, L3):

Supply voltage 200-240 V units .....	3 x 200/208/220/230/240 V ±10%
Supply voltage 380-460 V units .....	3 x 380/400/415/440/460 V ±10%
Supply frequency .....	50/60 Hz +/- 1%
Max. imbalance of supply voltage:	
VLT 6002 - 6011 / 380 - 460 V and VLT 6002 - 6005 / 200 - 240 V .....	±2.0% of rated supply voltage
VLT 6016 - 6062 / 380 - 460 V and VLT 6006 - 6032 / 200 - 240 V .....	±1.5% of rated supply voltage
VLT 6075 - 6275 / 380 - 460 V and VLT 6042 - 6062 / 200 - 240 V .....	±3.0% of rated supply voltage
Power factor / cos. $\varphi$ .....	0.90/1.0 at rated load
No. of switches on supply input L1, L2, L3 .....	approx. 1 time/min.
Max. short-circuit current .....	100.000 A

VLT output data (U, V, W):

Output voltage .....	0-100% of supply voltage
Output frequency .....	0 - 120 Hz, 0 - 1000 Hz
Rated motor voltage, 200-240 V units .....	200/208/220/230/240 V
Rated motor voltage, 380-460 V units .....	380/400/415/440/460/500 V
Rated motor frequency .....	50/60 Hz
Switching on output .....	Unlimited
Ramp times .....	1- 3600 sec.

Torque characteristics:

Starting torque .....	110% for 1 min.
Starting torque (parameter 110 <i>High break-away torque</i> ) .....	Max. torque: 160% for 0.5 sec.
Acceleration torque .....	100%
Overload torque .....	110%

Control card, digital inputs:

Number of programmable digital inputs .....	8
Terminal nos. ....	16, 17, 18, 19, 27, 29, 32, 33
Voltage level .....	0-24 V DC (PNP positive logics)
Voltage level, logical '0' .....	< 5 V DC
Voltage level, logical '1' .....	> 10 V DC
Maximum voltage on input .....	28 V DC
Input resistance, $R_i$ .....	approx. 2 k $\Omega$
Scanning time per input .....	3 msec.

*Reliable galvanic isolation: All digital inputs are galvanically isolated from the supply voltage (PELV). In addition, the digital inputs can be isolated from the other terminals on the control card by connecting an external 24 V DC supply and opening switch 4.*

Control card, analogue inputs:

No. of programmable analogue voltage inputs/thermistor inputs .....	2
Terminal nos. ....	53, 54
Voltage level .....	0 - 10 V DC (scalable)
Input resistance, $R_i$ .....	approx. 10 k $\Omega$
No. of programmable analogue current inputs .....	1
Terminal no. ground .....	55
Current range .....	0/4 - 20 mA (scalable)
Input resistance, $R_i$ .....	approx. 200 $\Omega$
Resolution .....	10 bit + sign
Accuracy on input .....	Max error 1% of full scale
Scanning time per input .....	3 msec.

*Reliable galvanic isolation: All analogue inputs are galvanically isolated from the supply voltage (PELV) and other high-voltage terminals.*

**■ General technical data**
Control card, pulse input:

No. of programmable pulse inputs .....	3
Terminal nos. ....	17, 29, 33
Max. frequency on terminal 17 .....	5 kHz
Max. frequency on terminals 29, 33 .....	20 kHz (PNP open collector)
Max. frequency on terminals 29, 33 .....	65 kHz (Push-pull)
Voltage level .....	0-24 V DC (PNP positive logics)
Voltage level, logic '0' .....	< 5 V DC
Voltage level, logic '1' .....	> 10 V DC
Maximum voltage on input .....	28 V DC
Input resistance, $R_i$ .....	approx. 2 k $\Omega$
Scanning time per input .....	3 msec.
Resolution .....	10 bit + sign
Accuracy (100-1 kHz), terminals 17, 29, 33 .....	Max. error: 0.5% of full scale
Accuracy (1-5 kHz), terminal 17 .....	Max. error: 0.1% of full scale
Accuracy (1-65 kHz), terminals 29, 33 .....	Max. error: 0.1% of full scale

*Reliable galvanic isolation: All pulse inputs are galvanically isolated from the supply voltage (PELV). In addition, pulse inputs can be isolated from the other terminals on the control card by connecting an external 24 V DC supply and opening switch 4.*

Control card, digital/pulse and analogue outputs:

No. of programmable digital and analogue outputs .....	2
Terminal nos. ....	42, 45
Voltage level at digital/pulse output .....	0 - 24 V DC
Minimum load to ground (terminal 39) at digital/pulse output .....	600 $\Omega$
Frequency ranges (digital output used as pulse output) .....	0-32 kHz
Current range at analogue output .....	0/4 - 20 mA
Maximum load to ground (terminal 39) at analogue output .....	500 $\Omega$
Accuracy of analogue output .....	Max. error: 1.5% of full scale
Resolution on analogue output. ....	8 bit

*Reliable galvanic isolation: All digital and analogue outputs are galvanically isolated from the supply voltage (PELV) and other high-voltage terminals.*

Control card, 24 V DC supply:

Terminal nos. ....	12, 13
Max. load .....	200 mA
Terminal nos. ground .....	20, 39

*Reliable galvanic isolation: The 24 V DC supply is galvanically isolated from the supply voltage (PELV), but has the same potential as the analogue outputs.*

Control card, RS 485 serial communication:

Terminal nos. ....	68 (TX+, RX+), 69 (TX-, RX-)
--------------------	------------------------------

*Reliable galvanic isolation: Full galvanic isolation (PELV).*

Relay outputs:

No. of programmable relay outputs .....	2
Terminal nos., control card .....	4-5 (make)
Max. terminal load on 4-5, control card .....	50 V AC, 1 A, 60 VA, 75 V DC, 1 A, 30 W
Max. terminal load on 4-5, control card for UL/cUL applications .....	30 V AC, 1 A / 42.5 V DC, 1A
Terminal nos., power card and relay card .....	1-3 (break), 1-2 (make)
Max. terminal load on 1-3, 1-2, power card and relay card .....	240 V AC, 2 A, 60 VA
Max. terminal load on 1-3, 1-2, power card .....	50 V DC, 2 A

**■ General technical data**
Cable lengths and cross-sections:

Max. motor cable length, screened cable .....	150 m
Max. motor cable length, unscreened cable .....	300 m
Max. motor cable length, screened cable VLT 6011 380-460 V .....	100 m
Max. DC-bus cable length, screened cable .....	25 m from frequency converter to DC bar.
<i>Max. cable cross-section to motor, see next section</i>	
Max. cross-section for control cables .....	1.5 mm <sup>2</sup> /16 AWG
Max. cross-section for serial communication .....	1.5 mm <sup>2</sup> /16 AWG

Control characteristics:

Frequency range .....	0 - 1000 Hz
Resolution on output frequency .....	±0.003 Hz
System response time .....	3 msec.
Speed, control range (open loop) .....	1:100 of synchro. speed
Speed, control range (closed loop) .....	1:1000 of synchro. speed
Speed, accuracy (open loop) .....	< 1500 rpm: max. error ± 7.5 rpm > 1500 rpm: max. error of 0.5% of actual speed
Process, accuracy (closed loop) .....	< 1500 rpm: max. error ± 1.5 rpm > 1500 rpm: max. error of 0.1% of actual speed

*All control characteristics are based on a 4-pole asynchronous motor*

Accuracy of Display readout (parameters 009-012 Display readout):

Motor current [5], 0 - 140% load .....	Max. error: ±2.0% of rated output current
Power kW [6], Power HP [7], 0 - 90% load .....	Max. error: ±5.0% of rated output power

Externals:

Enclosure .....	IP 00, IP 20, IP 54
Vibration test .....	0.7 g RMS 18-1000 Hz random. 3 directions for 2 hours (IEC 68-2-34/35/36)
Max. relative humidity .....	93 % +2 %, -3 % (IEC 68-2-3) for storage/transport
Max. relative humidity .....	95% non condensing (IEC 721-3-3; class 3K3) for operation
Ambient temperature .....	
VLT 6002-6005 200-240V, 6002-6011 380-460V, Bookstyle, IP20 .....	Max. 45°C (24-hour average max. 40°C)
VLT 6006-6062 200-240V, 6016-6275 380-460V, IP00, IP20 .....	Max. 40°C (24-hour average max. 35°C)
VLT 6002-6062 200-240V, 6002-6275 380-460V, IP54 .....	Max. 40°C (24-hour average max. 35°C)
Min. ambient temperature in full operation .....	0°C
Min. ambient temperature at reduced performance .....	-10°C
Temperature during storage/transport .....	-25 - +65/70°C
Max. altitude above sea level .....	1000 m

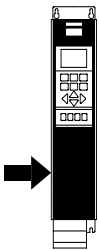
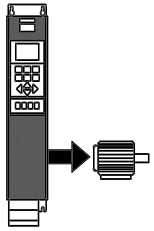
EMC standards applied, Emission .....	EN 50081-1/2, EN 61800-3, EN 55011, EN 55014
Immunity .....	EN 50082-2, EN 61000-4-2, IEC 1000-4-3, EN 61000-4-4 EN 61000-4-5, ENV 50204, EN 61000-4-6, VDE 0160/1990.12

VLT 6000 HVAC protection:

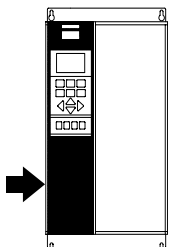
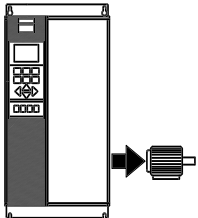
- Electronic motor thermal protection against overload.
- Temperature monitoring of heat-sink ensures that the VLT frequency converter cuts out if the temperature reaches 90°C for IP 00 and IP 20. For IP 54, the cut-out temperature is 80°C. An overtemperature can only be reset when the temperature of the heat-sink has fallen below 60°C.
- The VLT frequency converter is protected against short-circuiting on motor terminals U, V, W.
- The VLT frequency converter is protected against earth fault on motor terminals U, V, W.
- Monitoring of the intermediate circuit voltage ensures that the VLT frequency converter cuts out if the intermediate circuit voltage gets too high or too low.
- If a motor phase is missing, the VLT frequency converter cuts out.
- If there is a mains fault, the VLT frequency converter is able to carry out a controlled deramping.
- If a mains phase is missing, the VLT frequency converter will cut out when a load is placed on the motor.

**■ Technical data, mains supply 3 x 380 - 460 V**

According to international requirements		VLT type	6002	6003	6004	6005	6006	6008	6011
Output current	$I_{VLT,N}$ [A] (380-415 V)		3.0	4.1	5.6	7.2	10.0	13.0	16.0
	$I_{VLT,MAX}$ (60 s) [A] (380-415 V)		3.3	4.5	6.2	7.9	11.0	14.3	17.6
	$I_{VLT,N}$ [A] (440-460 V)		3.0	3.4	4.8	6.3	8.2	11.0	14.0
	$I_{VLT,MAX}$ (60 s) [A] (440-460 V)		3.3	3.7	5.3	6.9	9.0	12.1	15.4
Output	$S_{VLT,N}$ [kVA] (400 V)		2.2	2.9	4.0	5.2	7.2	9.3	11.5
	$S_{VLT,N}$ [kVA] (460 V)		2.4	2.7	3.8	5.0	6.5	8.8	11.2
Typical shaft output	$P_{VLT,N}$ [kW]		1.1	1.5	2.2	3.0	4.0	5.5	7.5
Typical shaft output	$P_{VLT,N}$ [HP]		1.5	2	3	-	5	7.5	10
Max. cable cross-section to motor	[mm <sup>2</sup> /AWG]		4/10	4/10	4/10	4/10	4/10	4/10	4/10
Max. input current (RMS)	$I_{L,N}$ [A] (380 V)		2.8	3.8	5.3	7.0	9.1	12.2	15.0
	$I_{L,N}$ [A] (460 V)		2.5	3.4	4.8	6.0	8.3	10.6	14.0
Max. cable cross-section, power	[mm <sup>2</sup> ]/[AWG] <sup>2)</sup>		4/10	4/10	4/10	4/10	4/10	4/10	4/10
Max. pre-fuses	[A]/UL <sup>1)</sup> [A]		16/6	16/10	16/10	16/15	25/20	25/25	35/30
Mains contactor	[Danfoss type]		CI 6	CI 6	CI 6	CI 9	CI 12	CI 5	CI 6
	[AC value]		AC-3	AC-3	AC-3	AC-3	AC-3	AC-1	AC-1
Efficiency <sup>3)</sup>			0.96						
Weight IP 20	[kg]		8	8	8,5	8,5	10,5	10,5	10,5
Weight IP 54	[kg]		11.5	11.5	12	12	14	14	14
Power loss at max. load. [W]	Total		67	92	110	139	198	250	295
Enclosure	VLT type		Bookstyle IP 20/Compact IP 20/IP 54						
			(Bookstyle IP 20 is available in the VLT 6002-6011 power range)						


**■ Mains supply 3 x 380 - 460 V**

According to international requirements		VLT type	6016	6022	6027	6032	6042	6052	6062
Output current	$I_{VLT,N}$ [A] (380-415 V)		24.0	32.0	37.5	44.0	61.0	73.0	90.0
	$I_{VLT,MAX}$ (60 s) [A] (380-415 V)		26.4	35.2	41.3	48.4	67.1	80.3	99.0
	$I_{VLT,N}$ [A] (440-460 V)		21.0	27.0	34.0	40.0	52.0	65.0	77.0
	$I_{VLT,MAX}$ (60 s) [A] (440-460 V)		23.1	29.7	37.4	44.0	57.2	71.5	84.7
Output	$S_{VLT,N}$ [kVA] (400 V)		17.3	23.0	27.0	31.6	43.8	52.5	64.7
	$S_{VLT,N}$ [kVA] (460 V)		16.7	21.5	27.1	31.9	41.4	51.8	61.3
Typical shaft output	$P_{VLT,N}$ [kW]		11	15	18.5	22	30	37	45
Typical shaft output	$P_{VLT,N}$ [HP]		15	20	25	30	40	50	60
Max. cable cross-section to motor and DC-bus	[mm <sup>2</sup> /AWG]		16/6	16/6	16/6	16/6	35/2	35/2	50/0
Min. cable cross-section to motor and DC-bus <sup>4)</sup>	[mm <sup>2</sup> /AWG]		10/8	10/8	10/8	10/8	10/8	10/8	16/6
Max. input current (RMS)	$I_{L,N}$ [A] (380 V)		24.0	32.0	37.5	44.0	60.0	72.0	89.0
	$I_{L,N}$ [A] (460 V)		21.0	27.6	34.0	41.0	53.0	64.0	77.0
Max. cable cross-section, power	[mm <sup>2</sup> ]/[AWG]		16/6	16/6	16/6	16/6	35/2	35/2	50/0
Max. pre-fuses	[A]/UL <sup>1)</sup> [A]		63/40	63/40	63/50	63/60	80/80	100/100	125/125
Efficiency at rated frequency			0.96						
Weight IP 20	[kg]		23	23	23	30	30	48	48
Weight IP 54	[kg]		48	48	48	51	61	67	70
Power loss at max. load. [W]			419	559	655	768	1065	1275	1571
Enclosure			IP 20/IP 54						



1. If UL/cUL is to be complied with, pre-fuses type Bussmann KTS-R or similar must be used. Pre-fuses type gG must be used for VLT 6002 - VLT 6032, 200/240 V and VLT 6002 - VLT 6062, 380/460 V. Pre-fuses type gR must be used for VLT 6042 - 6062, 200/240 V and VLT 6075 - VLT 6275, 380/460 V. The fuses must be placed to protect a circuit capable of supplying max. 100,000 amps rms (symmetrical), 500 V maximum.
2. American Wire Gauge.
3. Measured using 30 m screened motor cable at rated load and rated frequency.
4. Min. cable cross-section is the smallest cable cross-section allowed to be fitted on the terminals. Always comply with national and local regulations on min. cable cross-section.

**■ Mechanical dimensions**

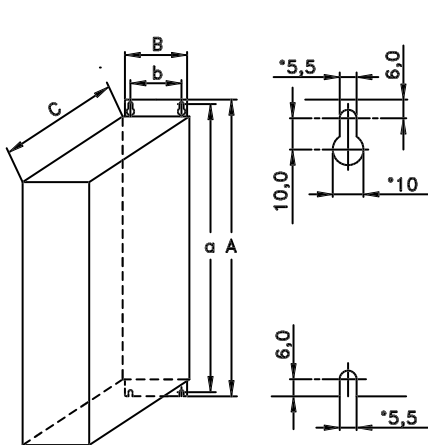
All measurements in mm.

VLT type	A	B	C		a	b	aa/bb	Type
<b>Bookstyle IP 20 200-240 V</b>								
6002 - 6003	395	90	260		384	70	100	A
6004 - 6005	395	130	260		384	70	100	A
<b>Bookstyle IP 20 380-460 V</b>								
6002 - 6005	395	90	260		384	70	100	A
6006 - 6011	395	130	260		384	70	100	A
<b>IP 00 200-240 V</b>								
6042 - 6062	800	370	335		780	270	225	B
<b>IP 00 380-460 V</b>								
6075 - 6125	800	370	335		780	270	225	B
6150 - 6275	1400	420	400		1380	350	225	B
<b>IP 20 200-240 V</b>								
6002 - 6003	395	220	160		384	200	100	C
6004 - 6005	395	220	200		384	200	100	C
6006 - 6011	560	242	260		540	200	200	D
6016 - 6022	700	242	260		680	200	200	D
6027 - 6032	800	308	296		780	270	200	D
6042 - 6062	954	370	335		780	270	225	E
<b>IP 20 380-460 V</b>								
6002 - 6005	395	220	160		384	200	100	C
6006 - 6011	395	220	200		384	200	100	C
6016 - 6027	560	242	260		540	200	200	D
6032 - 6042	700	242	260		680	200	200	D
6052 - 6062	800	308	296		780	270	200	D
6075 - 6125	954	370	335		780	270	225	E
6150 - 6275	1554	420	400		1380	350	225	E
VLT type	A	B	C	D	a	b	a/b	Type
<b>IP 54 200-240 V</b>								
6002 - 6003	460	282	195	85	260	258	100	F
6004 - 6005	530	282	195	85	330	258	100	F
6006 - 6011	810	355	280	70	560	330	200	F
6016 - 6032	940	400	280	70	690	375	200	F
6042 - 6062	937	495	421	-	830	374	225	G
<b>IP 54 380-460 V</b>								
6002 - 6005	460	282	195	85	260	258	100	F
6006 - 6011	530	282	195	85	330	258	100	F
6016 - 6032	810	355	280	70	560	330	200	F
6042 - 6062	940	400	280	70	690	375	200	F
6075 - 6125	937	495	421	-	830	374	225	G
6150 - 6275	1572	495	425	-	1465	445	225	G
Option for IP 00 VLT 6075-6275	A1	B1	C1					
<b>IP 20 bottom cover</b>								
6075 - 6125	175	370	335					
6150 - 6275	175	420	400					

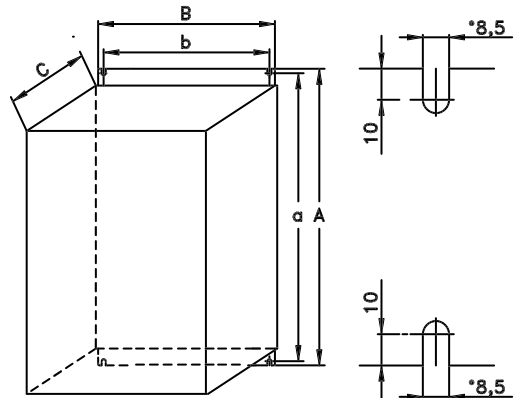
aa: Min. air above enclosure

ab: Min. air below enclosure

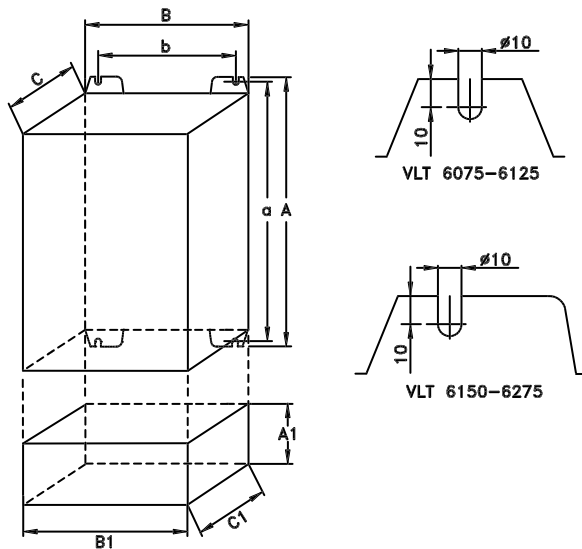
■ Mechanical dimensions



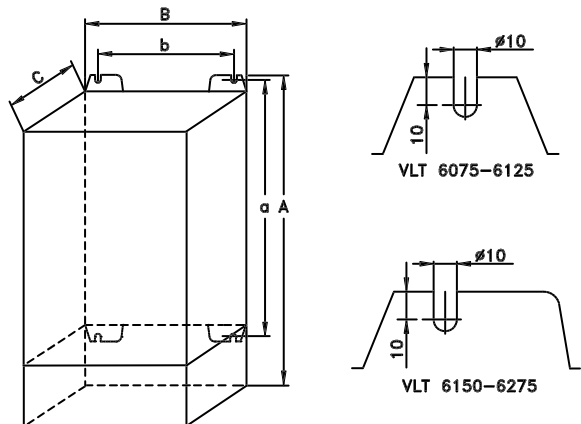
Type A, IP20



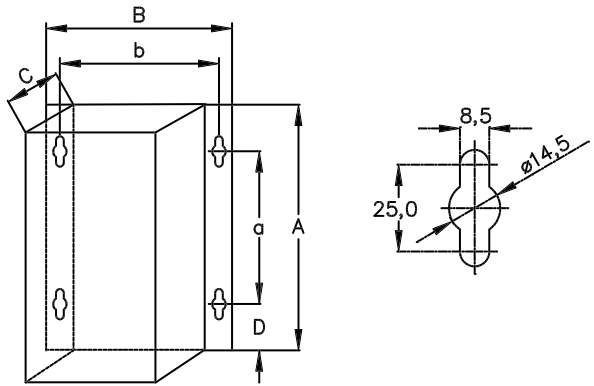
Type D, IP20



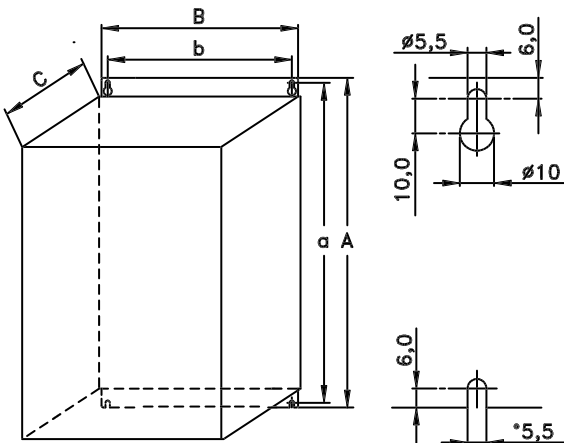
Type B, IP00  
With option and enclosure IP20



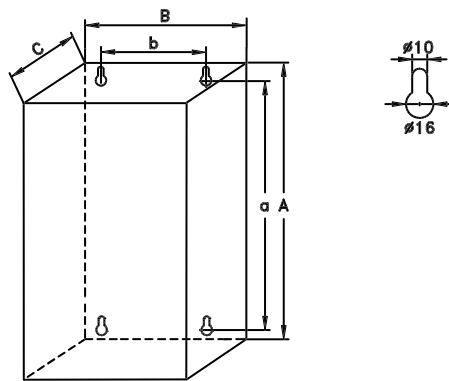
Type E, IP20



Type F, IP54



Type C, IP20



Type G, IP54